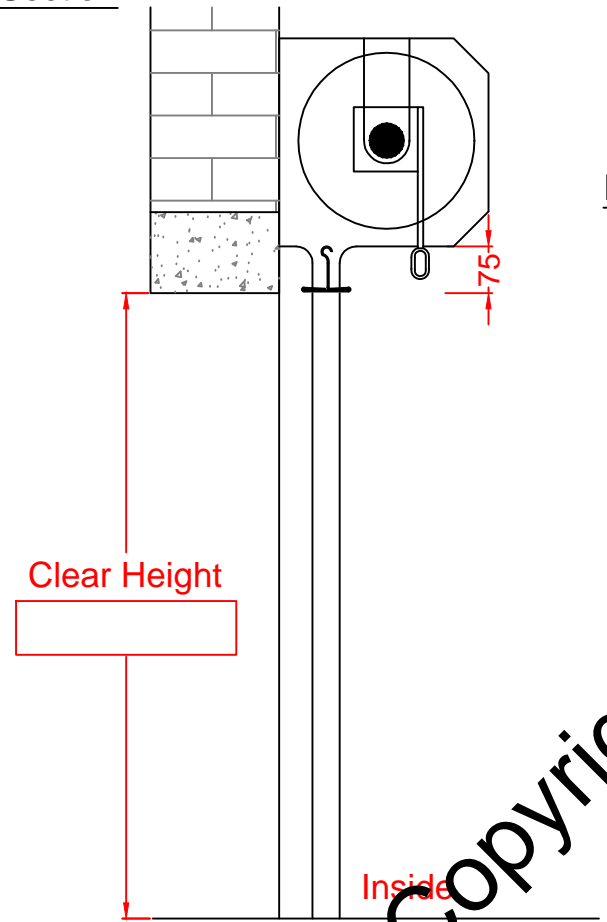


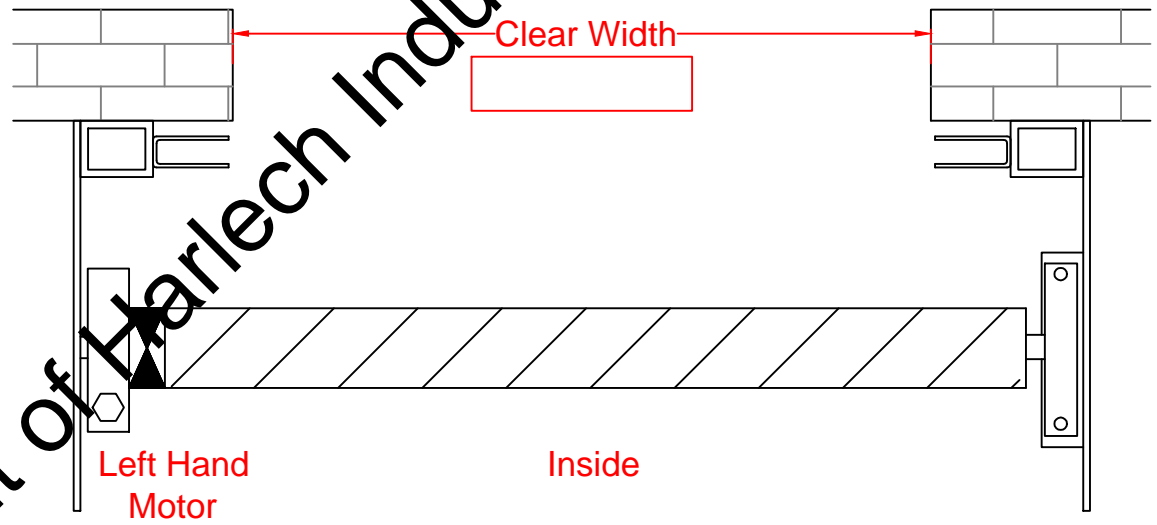
Customer:		Unit 7/8 Curran Industrial Estate	Specification
Site:		Curran Road, Cardiff, CF10 5DF	-
Drawing No: Face Fix to Brick (Box) LH		Tel: Cardiff (029) 20665539	
Job:		Fax: Cardiff (029) 20665518	

**Structural Opening Note:**  
 Client is responsible for ensuring that the structural opening is constructed from suitable material to support the loads imposed by the door leaf & fixing.  
 Door leaf = 15kg/m<sup>2</sup> (approx)

Section



Plan



Copyright of Harlech Industrial Doors

Date	____/____/____	Revision	A
Rev A - First Issue			

Drawing Title: Barrel Motor Roller Shutter	Door ref:	Approved by:
--	-----------	--------------